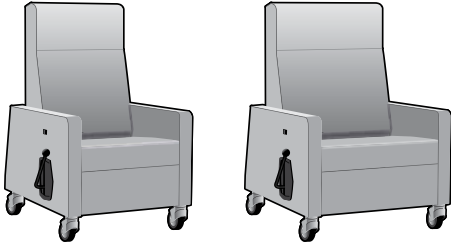
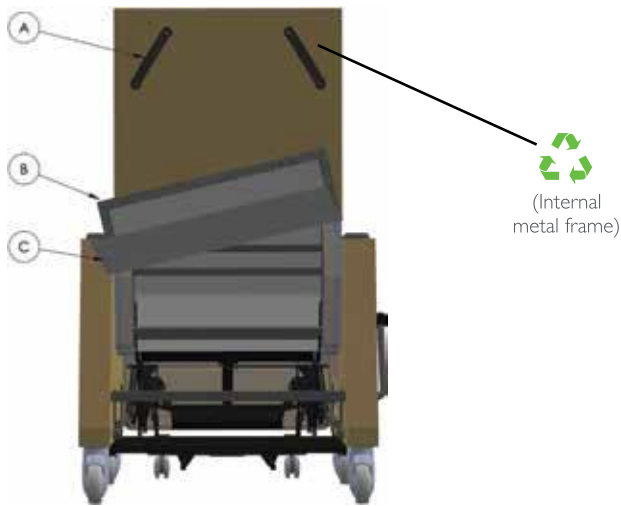


These instructions may be used to disassemble all versions of our Carson Recliner seating line and available options.



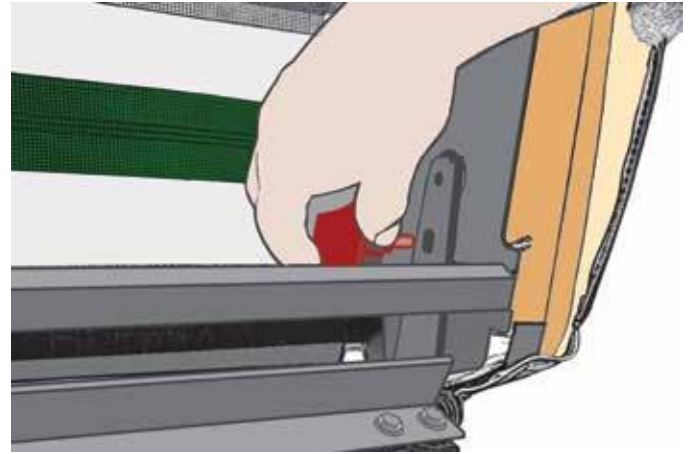
Time Required:
20 minutes.



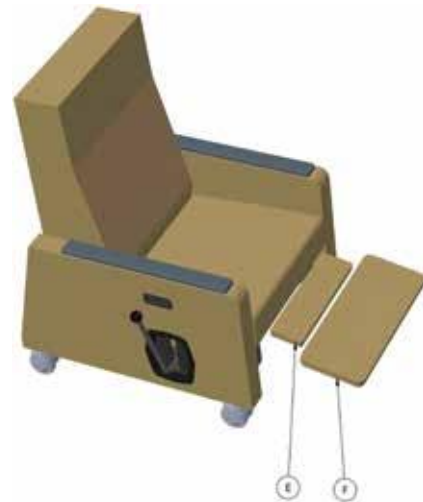
Tools Required:

All models: 7/16" wrench, #2 Robertson screwdriver, #2 and #3, 4 Philips screwdrivers, Channel lock pliers, #3 metric, 1/8, 5/32, 3/16, 5/16" Allen keys, side cutters and knife (preferably a box cutter).

- A:** Remove the two push handles using a 5/16" Allen Key.
- B:** Raise the flap at the bottom of the chair (next to the floor) and detached it from the cross support bar. It is attached with Velcro®.
- C:** Keeping the flap elevated, now detached the upholstery (attached with Velcro®) covering at the bottom of the recliner back and pull it up out of the way.



D: Reaching up and inside the back, unscrew the two hand knobs securing the back to the recliner mechanism. The back can now be lifted directly up and off of the mechanism and put to one side. We will return to this later.

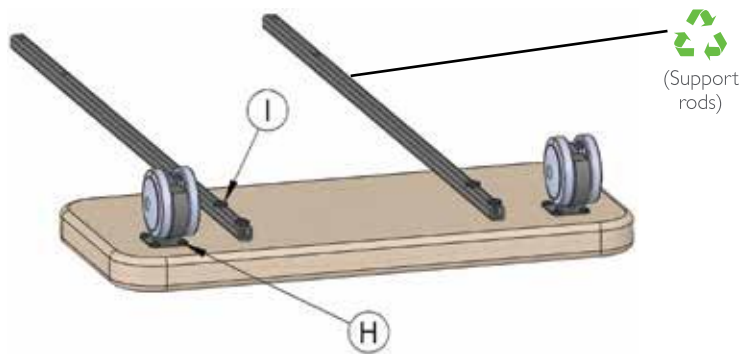


E & F: Now extend the ottoman by rotating the caregiver lever and detach the leg supports from the mechanism using a #2 Philips screwdriver.

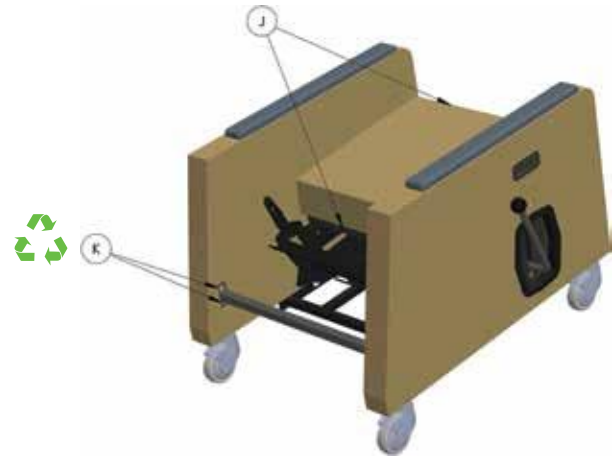
If the recliner is equipped with an optional pull-out foot rest, follow the steps below for removing it. If it is not equipped with one, skip to Step J.



G: With the footrest fully retracted, retract the footrest, remove the stop bolts with a 3/16" Allen key and a 7/16" wrench and slide the footrest out from the front of the recliner until it is free of the recliner.



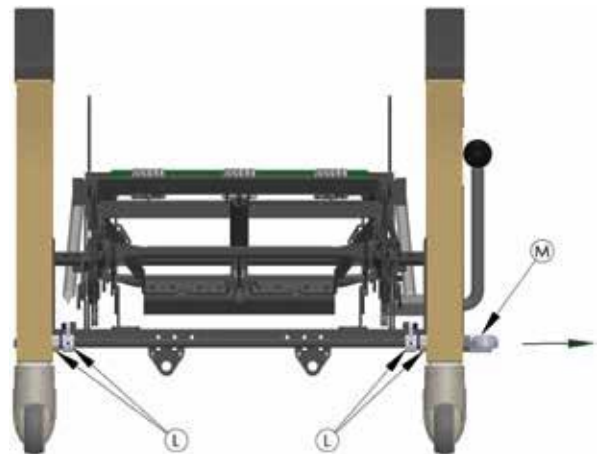
H & I: Using a #2 Philips screwdriver, remove the casters and the two support rods from the foot rest.



J & K: Remove that seat cushion from the mechanism by detaching the flaps secured with Velcro®, at the front and rear of the cushion.

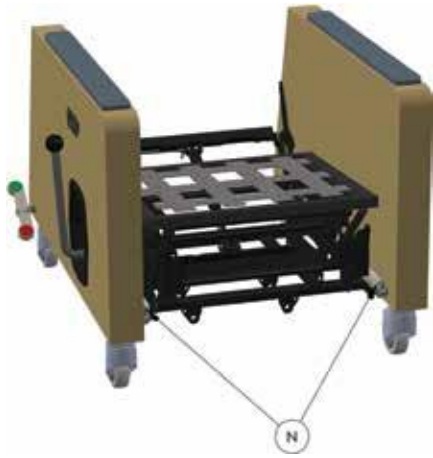
Remove the cross support bar located at the back of the recliner from the side frames using a #2 Philips screwdriver.

If the recliner is equipped with an optional central caster locking system, follow the steps below for removing it. If it is not equipped with one, skip to Step N.



L & M: At the back of the recliner loosen the two connecting levers (#3 metric Allen key), and the two locking collars (1/8" Allen key) which are mounted on the hexagon cross shaft.

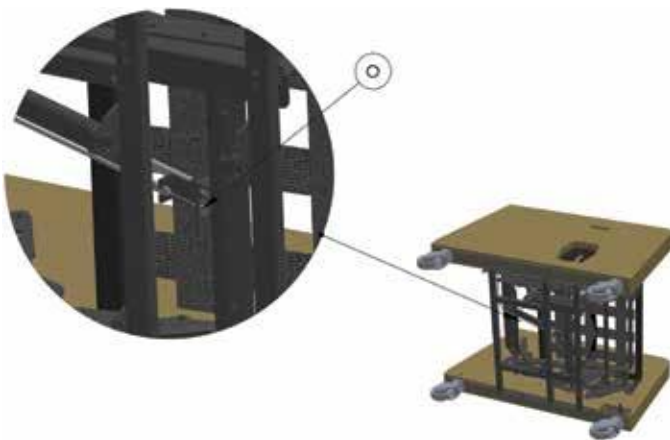
Now slide the hexagon cross shaft free of the recliner by pulling on the pedal (see arrow). Remove the pedal from the hexagon cross shaft using a #4 metric Allen key.



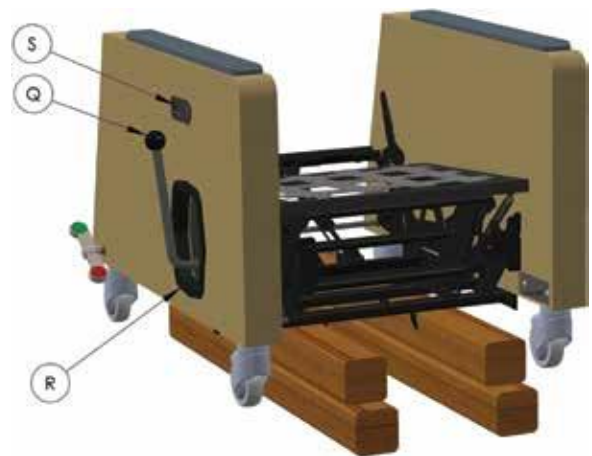
N: Using a 5/32" Allen key, remove the shoulder bolts securing the two linkages at the front of the recliner.



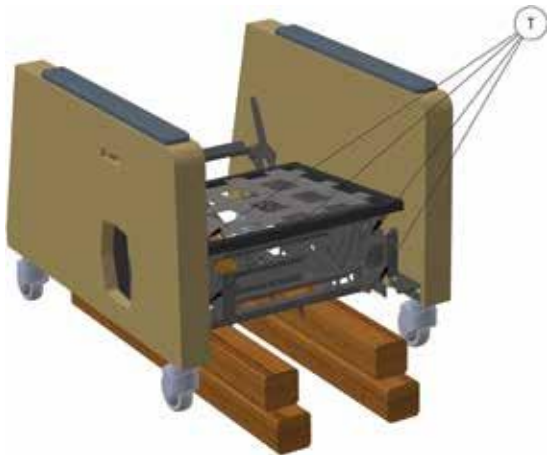
P: With the help of an assistant, block up the recliner mechanism so that the casters are free of the floor.



O: Reaching in from the back of the recliner, cut the cable which runs to the mechanism using side cutters. Alternatively, using pliers spread the metal clasp which secures the cable end to the mechanism and then slip the ball end of the cable free from the activating lever.



Q, R & S: Unthread the ball knob from the end of the caregiver lever using a Channel lock pliers. Using a #2 Phillips screwdriver, remove the shroud around the caregiver lever and the actuator lever. The actuator lever and cable will slide free of the side frame.



T: Using a #2 Philips screwdriver, remove the four bolts securing the left and right side frames. Place both side frames on a bench.



X: Remove the seat webbing from the recliner mechanism.

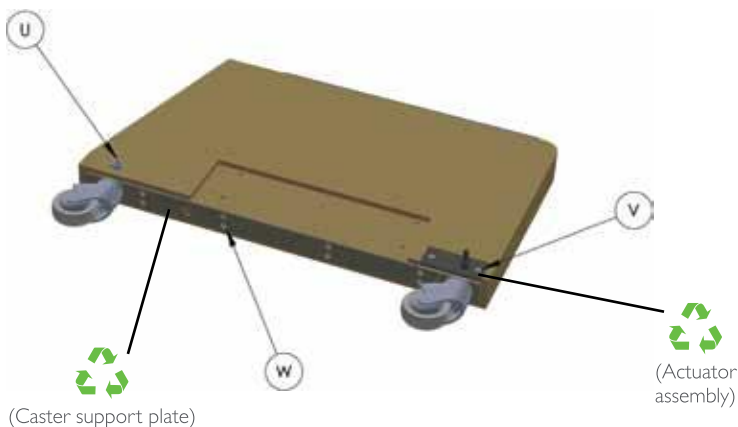
Removal of Optional Arm Caps

The optional wood or polyurethane arm caps can only be removed using a special tool. If the recliner has polyurethane arm caps, the polyurethane can be cut free of the internal plywood core by carefully running a sharp knife around the perimeter of the arm cap.

Removal of Upholstery and Foam

Side Frames

- A:** If the side frames have arm caps, using a sharp knife, carefully cut the upholstery around the full perimeter of the side frame just below the arm cap.
- B:** If the side frames do not have arm caps, using a sharp knife, carefully cut the upholstery around the full perimeter of the side frame just above the bottom.
- C:** Remove the upholstery, and using a knife (preferably a box cutter) carefully slice away the foam from the wood panels.



U, V & W: If the recliner is equipped with an optional central caster locking system, remove the actuator assemblies from the two end frames using a #2 Philips screwdriver. The two front casters can now be pulled free of the end frames.

If the recliner is not equipped with the optional locking caster system, remove the screw and washer using a #3 Philips screwdriver securing the four casters. All four casters can now be pulled free of the side frames.

Remove the caster support plate from the bottom of each side frame.

Leg Rests

Using pliers, remove the staples from the bottom of the seat and remove the dust cover and upholstery. A small flat blade screwdriver may be handy here. Taking the knife, carefully slice the foam away from the wood seat panel.

Recliner Back

- A:** The upholstery can be rolled upward until a flap secured with Velcro® is exposed on the back. Remove this flap and continue rolling the upholstery up until it is free of the back. Taking a knife (preferably a box cutter), slice the foam away from the internal frame.
- B:** Remove the seat webbing. Using a #2 Phillips screwdriver, remove the plywood from the sides of the metal frame.

Material Breakdown

Quantity	Component	Material
2	Caster support plates	Steel 
1	Back frame (foam must be peeled off)	Steel 
2	Backframe upholstery strips	Wood
1	Mechanism	Steel 
1	Cross support tube	Steel 
7	Seat webbing straps	Nylon
10	Seat webbing hooks	Steel 
6	Upholstery pieces – seat cushion, end frames, back and leg supports	Vinyl/ Fabric
1	Caregiver lever shroud	ABS plastic
2	Footrest support rods	Steel 
1	Footrest	Wood
4	Casters	Polymide / thermoplastic rubber
2	Push handles	glass filled nylon
1	Ball knob	Phenolic plastic
2	Arm caps (option)	Wood
2	Arm caps (option)	Polyurethane
2	Arm cap substrate (option with polyurethane arm caps)	Wood
2	Actuator assemblies (option)	Steel 
1	Foley hook (option)	Steel 
2	footrest casters (option)	Polymide / thermoplastic rubber
1	Cable release actuator	Steel/ Nylon
1	IV pole holder (option)	Aluminum 
1	Hexagon cross shaft (option)	Steel 
6	Connecting levers and locking collars (option)	Steel 
1	Pedal for central locking system (option)	Polymide / thermoplastic rubber
2	Linkages (option)	Steel 
Various	Seat cushion, end frames, back and leg supports	Foam
Various	Fasteners and staples	Steel 